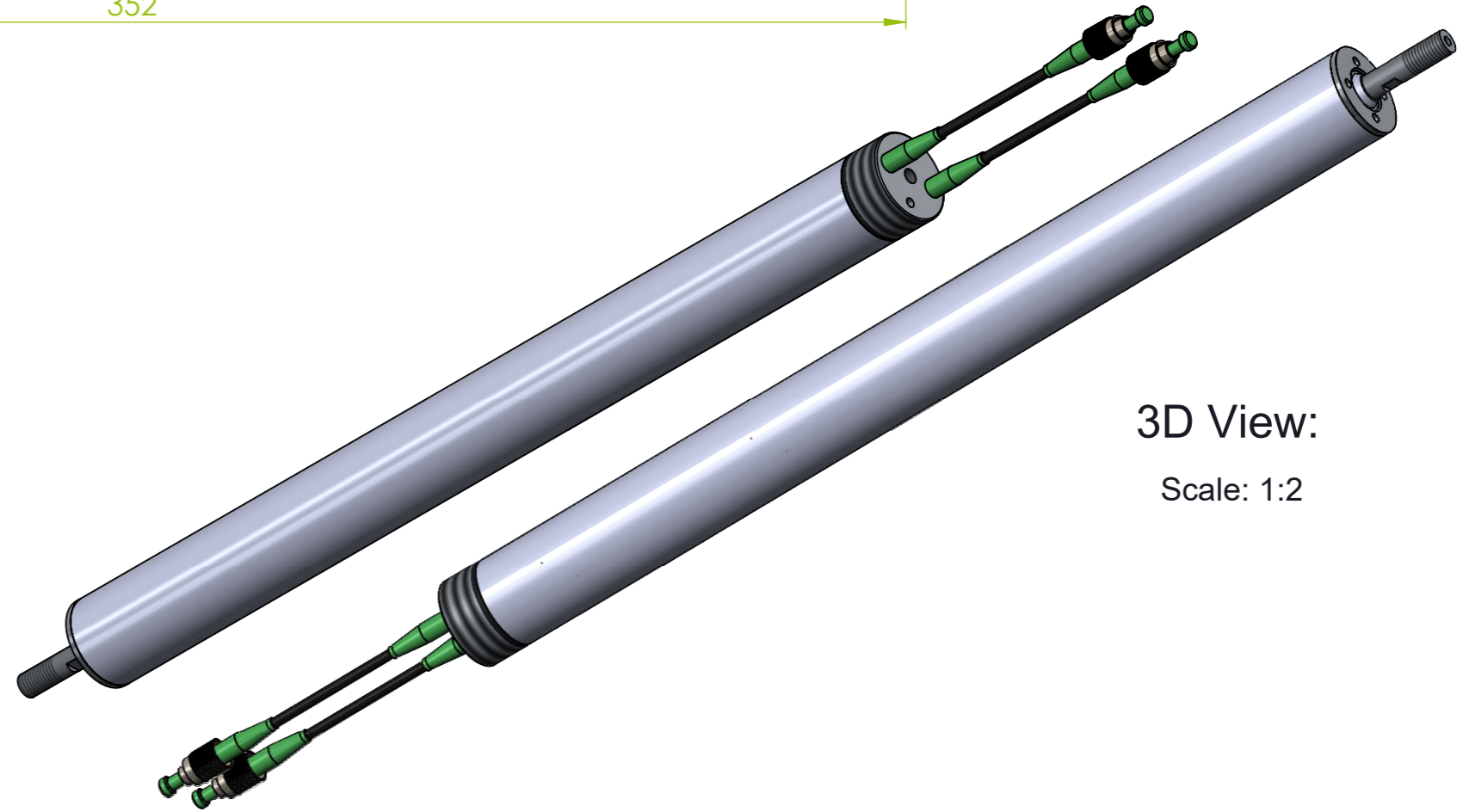
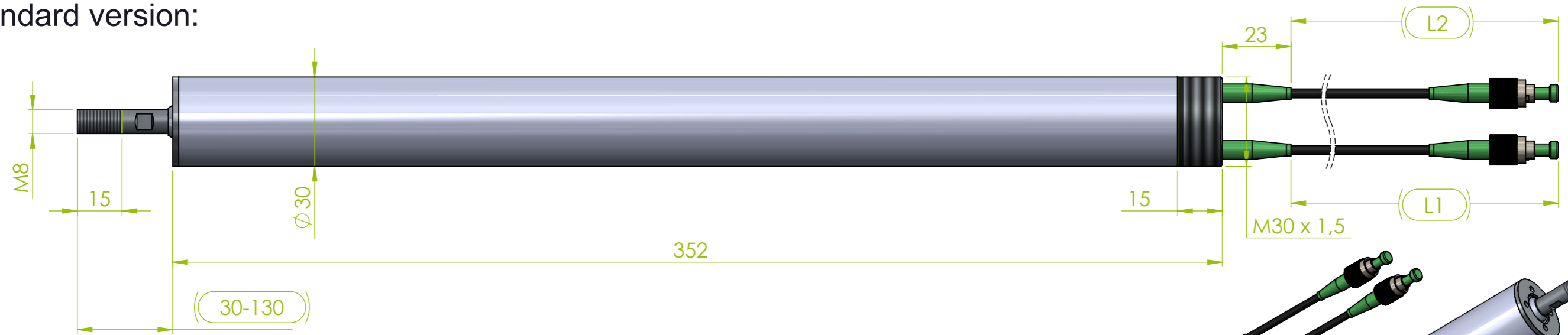


Standard version:

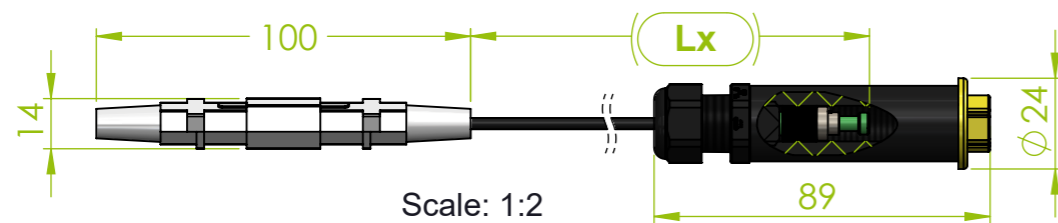


3D View:

Scale: 1:2

Optional accessories:

- LCP-03 Longer Dyneema cable pigtail with 1x WSP-02 (Watertight Splice Protection) and with 1x WCP-01 Watertight Connector Protection 1x FC/APC IP67:



Scale: 1:2

| Parameter | Length                          | Tolerance |
|-----------|---------------------------------|-----------|
| L1        | 1000 mm (standard)              | ±50 mm    |
| L2        | 1000 mm (standard)              | ±50 mm    |
| Lg        | NA                              | ±2 mm     |
| Lx        | Optional: Custom-Defined Length | ±xx mm    |

|   |  |  |                             |
|---|--|--|-----------------------------|
| TITLE: D-04 Displacement sensor   |  |  |                             |
| REVISION: A   | SCALE: 1:1.5   | DRAWN BY, DATE: Peter Ištván 13.01.2021      |                             |
|   | STATUS: Approve by SYLEX DIMENSIONS IN MM (UNLESS SPECIFIED) | CHECKED BY, DATE: Branislav Pikus 17.05.2021 |                             |
|   |  | APPROVED BY, DATE: Tomáš Salát 17.05.2021    |                             |
| NAME OF CAD FILE: D-04 WEB  |  | PRODUCT NUMBER: F-D04-xxx-xxx-xxx/xx/xxxx    | DRAWING NUMBER: D-04 WEB    |
| THIS DRAWING CONTAINS INFORMATION THAT IS PROPERTY OF SYLEX s.r.o AND SHOULD NOT BE USED WITHOUT WRITTEN PERMISSION |  |  | SHEET No: 1 of 1<br>SIZE A3 |

