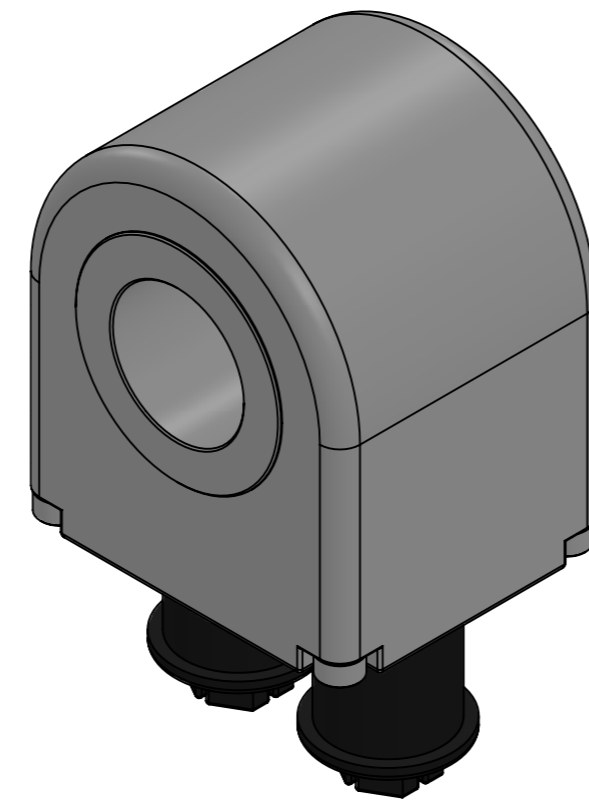
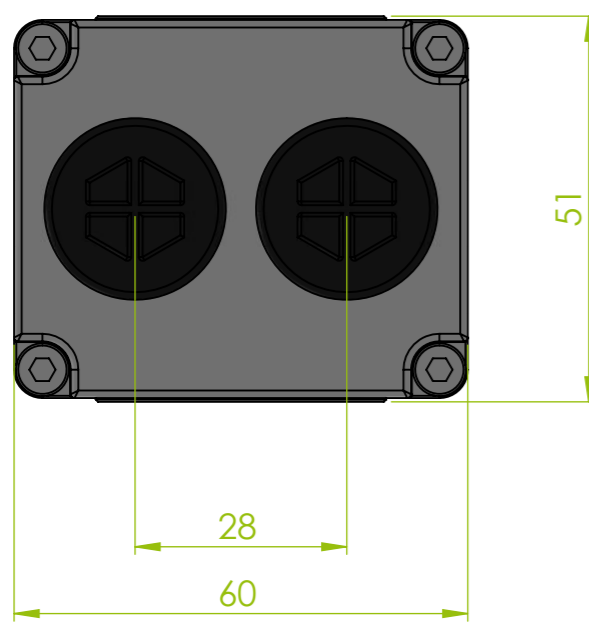
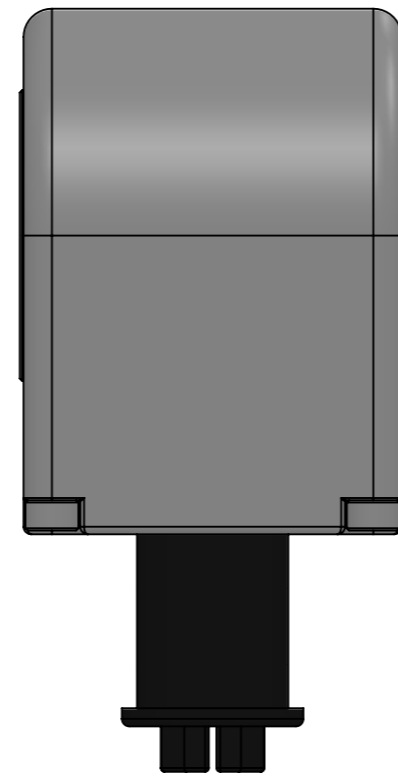
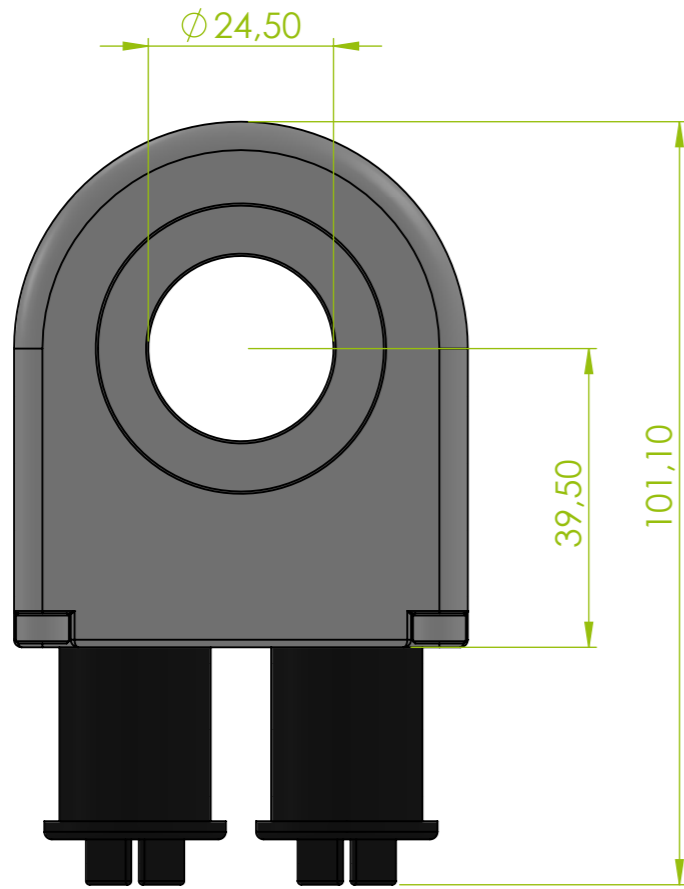



Standard version:



TITLE: ALC-01 Anchor Load Cell			
REVISION: A	SCALE: 1:1	DRAWN BY, DATE: Branislav Pikus 08.08.2023	
	STATUS: In Work	CHECKED BY, DATE: 08.08.2023	
	DIMENSIONS IN MM (UNLESS SPECIFIED)	APPROVED BY, DATE: 08.08.2023	
NAME OF CAD FILE: ALC-01 step pic import	PRODUCT NUMBER: F-MSX-003-xxx-xxx/xx/xxxx	DRAWING NUMBER: ALC-01 step pic import	SHEET No: 1 of 1
THIS DRAWING CONTAINS INFORMATION THAT IS PROPERTY OF SYLEX s.r.o AND SHOULD NOT BE USED WITHOUT WRITTEN PERMISSION			SIZE A3