

PROPRIETARY AND CONFIDENTIAL

THE INFORMATION CONTAINED IN THIS DRAWING IS THE SOLE PROPERTY OF DYTRAN INSTRUMENTS INC. ANY REPRODUCTION IN PART OR AS A WHOLE WITHOUT THE WRITTEN PERMISSION OF DYTRAN INSTRUMENTS INC. IS PROHIBITED

MODEL	RANGE
4400B1	±2g
4400B2	±19g
4400B3	±200g

HARDWARE CHECK / READY INDICATOR LED

RECORDING INDICATOR LED

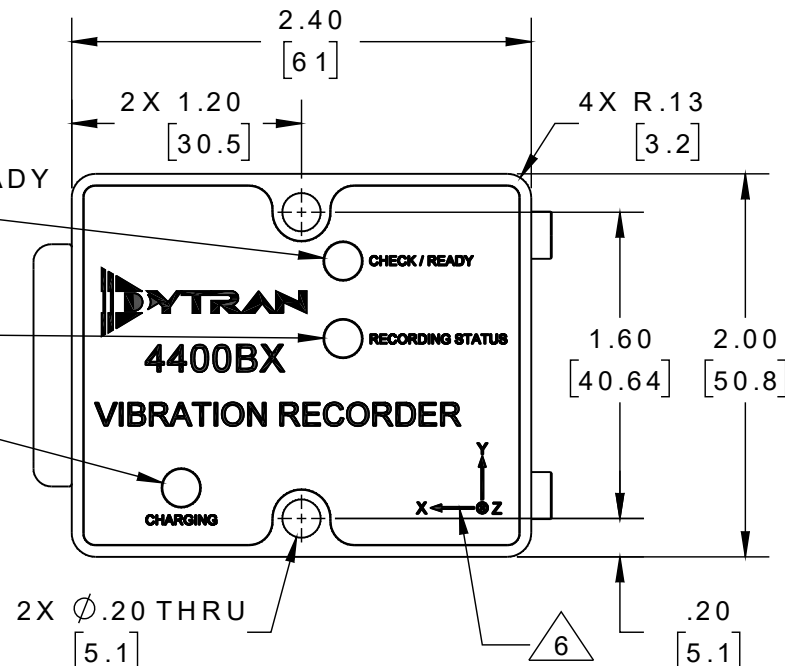
CHARGING INDICATOR LED

MATES WITH CHARGING CABLE, MODEL 69126, QTY:1 (SUPPLIED)

MOLDED COVER NOT SHOWN FOR CLARITY

MOLDED COVER

BOTTOM COVER, REMOVABLE



POWER BUTTON RECORD BUTTON

RARE EARTH MAGNETS, PERMANENTLY INSTALLED

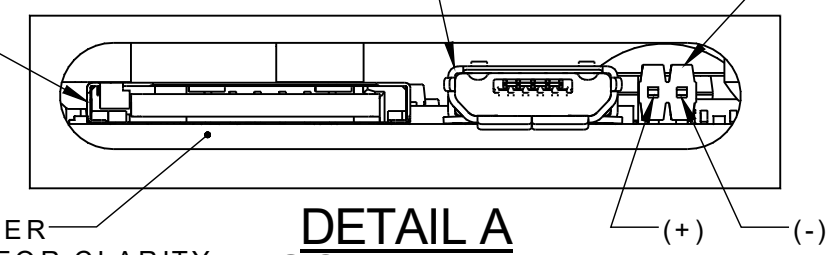
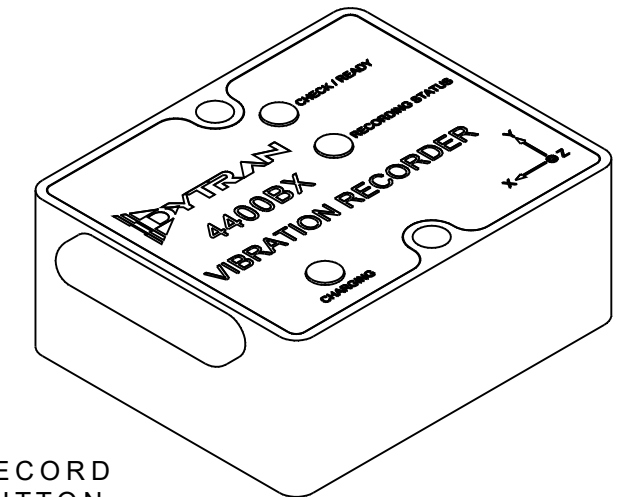
MICRO-SD CARD SLOT (MICRO-SD CARD SUPPLIED)

BATTERY CHARGING PORT, MICRO-USB

SYNCHRONIZATION CONNECTOR

MOLDED COVER NOT SHOWN FOR CLARITY

DETAIL A SCALE 3:1

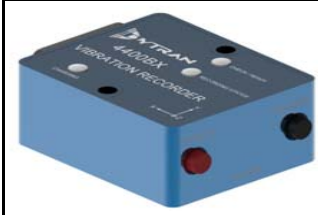


- 8 MOLDED COVER AND BOTTOM COVER MUST BE INSTALLED TO MEET IP RATING.
 - 7 MATING SYNCHRONIZATION CABLE: DYTRAN MODEL 60153AXX.
 - 6 ARROWS INDICATE DIRECTIONS OF ACCELERATION FOR POSITIVE OUTPUT.
 - 5 MAGNETS PULL RATING: UP TO 8.4 lb.
NOTE: MAXIMUM PULL RATINGS ARE BASED ON DIRECT CONTACT WITH RUST-FREE AND UNPAINTED IRON PLATE. VARIATIONS IN MATERIAL CONDITION WILL SIGNIFICANTLY REDUCE THESE RATINGS.
 - 4 MOUNTING SCREW, MODEL 6246, 10-32 UNF-3A X 1.25, QTY 2, SUPPLIED.
MOUNTING SCREW, MODEL 6694A1, M5 X 0.8 X 35mm, QTY 2, SUPPLIED.
 - 3. OPERATING TEMPERATURE, DISCHARGING: -4 °F TO +140 °F (-20 °C TO +60 °C)
OPERATING TEMPERATURE, CHARGING: +32 °F TO +113 °F (0 °C TO +45 °C)
 - 2. HOUSING MATERIAL: ALUMINUM ALLOY, ANODIZED, COLOR: BLUE.
 - 1. WEIGHT: 150 GRAMS, MAX.
- NOTES: UNLESS OTHERWISE SPECIFIED

UNLESS OTHERWISE SPECIFIED: INTERPRET DIM & TOL PER ASME Y14.5M - 1994. REMOVE BURRS. COUNTERSINK INTERNAL THDS 90° TO MAJOR DIA. CHAM EXT THDS 45° TO MINOR DIA. THD LENGTHS AND DEPTHS ARE FOR MIN FULL THDS. DIMENSIONS APPLY AFTER FINISHING.		UNLESS OTHERWISE SPECIFIED: DIMENSIONS ARE IN INCHES. DIMENSIONS IN BRACKETS [] ARE IN MILLIMETERS TOLERANCES ARE:		Chatsworth, CA	
DECIMALS .XX ±.03 .XXX ±.010	METRIC .X ±.08 .XX ±0.25	ANGLES ±1°	TITLE: OUTLINE/INSTALLATION DWG, VIBRATION RECORDER, MODEL 4400B		
APPROVALS		DATE	SIZE	CAGE CODE	DWG NO
ORIG	KG	10/18/19	B	2W033	127-4400B
CHK	RA	06/18/20	SCALE:	1:1	
APP					REV C
DO NOT SCALE DRAWING		THIRD ANGLE PROJECTION USA	SHEET 1 OF 1		

MODEL NUMBER 4400B1	PERFORMANCE SPECIFICATIONS	DOC NO. PS4400B1
--------------------------------------	-----------------------------------	-----------------------------------

	ACCELERATION RECORDER, TRIAXIAL	REV C, ECN 16261, 07/16/21
--	--	----------------------------



- RECORDS THREE-AXIS VIBRATION UP TO 15 HOURS
- IP64 RATED
- MICRO-SDHC CARD COMPATIBLE
- DUAL MOUNTING CONFIGURATIONS
- INTEGRATED ANTI-ALIASING FILTERS

PHYSICAL
Weight, Max.
Mounting
Housing

	ENGLISH		SI	
Weight, Max.	5.3	oz	150	grams
Mounting	Screws / Magnets		Screws / Magnets	
Housing	Aluminum, Anodized	Material	Aluminum, Anodized	

PERFORMANCE
Acceleration Range
Maximum Frequency Range, -3dB
Resonance Frequency
Linearity [1]
Transverse Sensitivity, Max
Noise, Max.
Recording Time, Max.
Sampling rate
Memory Card Type
Acquisition Type

	ENGLISH		SI	
Acceleration Range	±2	g pk	±20	m/s ² pk
Maximum Frequency Range, -3dB	0 to 1000	Hz	0 to 1000	Hz
Resonance Frequency	>5.5	kHz	>5.5	kHz
Linearity [1]	< ±2.0	%F.S.	< ±2.0	%F.S.
Transverse Sensitivity, Max	5	%	5	%
Noise, Max.	0.01	g RMS	88	mm/s ² RMS
Recording Time, Max.	15	hours	15	hours
Sampling rate	100 - 10,000	samples/s	100 - 10,000	samples/s
Memory Card Type	Micro-SDHC		Micro-SDHC	
Acquisition Type	Free Run / Triggered / Time		Free Run / Triggered / Time	

ELECTRICAL
Battery

	ENGLISH		SI	
Battery	1300mAh (Rechargeable)		1300mAh (Rechargeable)	

ENVIRONMENTAL
Shock Max
Operating Temperature, Discharging
Operating Temperature, Charging
Seal [3]

	ENGLISH		SI	
Shock Max	1,000	g pk	9810	m/s ²
Operating Temperature, Discharging	-4 to +140	°F	-20 to +60	°C
Operating Temperature, Charging	+32 to +113	°F	0 to +45	°C
Seal [3]	Environmental / IP64		Environmental / IP64	

Model	Range (g pk)	Noise (g RMS)	Oper. Temp (°F)	BandWidth (Hz)
4400B2	±19	0.02	-4 to +140	0 to 1000
4400B3	±200	0.2	-4 to +140	0 to 1000

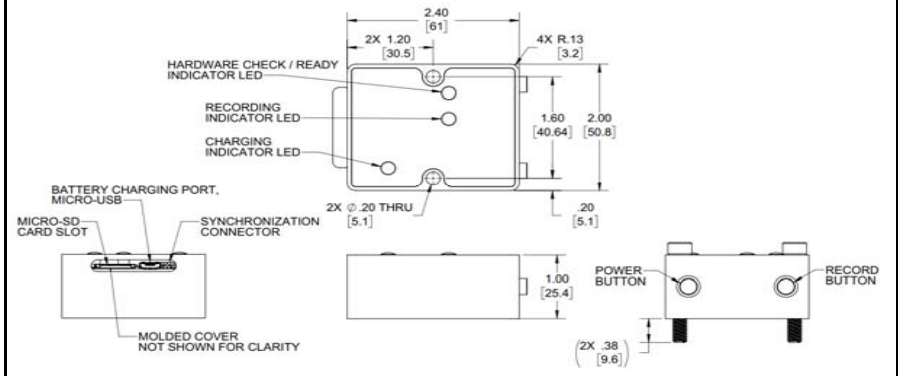
Refer to the performance specifications of the products in this family for detailed description

Supplied Accessories:

- 1) Accredited calibration certificate (ISO 17025)
- 2) Mounting Screw, Model 6246, 10-32 X 1.25, Qty. 2
- 3) Mounting Screw, Model 6694A1, M5x0.8 X 35mm, Qty. 2
- 4) Charging cable, Model 69126, USB Type A to Micro B, Qty:1

Notes:

- [1] Linearity is % of specified full scale (or any less full-scale range), zero-based best fit straight line method.
- [2] In the interest of constant product improvement, we reserve the rights to change the specifications without notice. It is the customer's responsibility to validate that a particular product with the properties described in the product specification is suitable for use in a particular application. Parameters provided in datasheets and / or specifications may vary in different applications and performance may vary overtime. All operating parameters, including typical parameters, must be validated for each customer application by the customer's technical experts.
- [3] Molded cover and bottom cover with integral sealing gasket must both be installed to meet IP64 rating.
- [4] Micro-SD card supplied.
- [5] All specifications are at room temperature unless otherwise specified



Units on the line drawing are in inches, units in brackets are in millimeters. Refer to 127-4400B for more information.