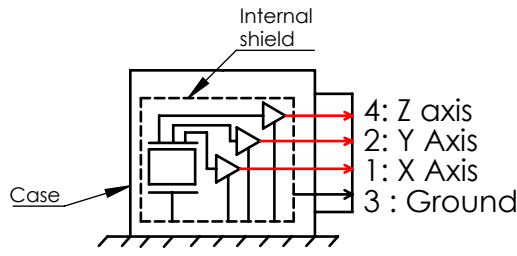
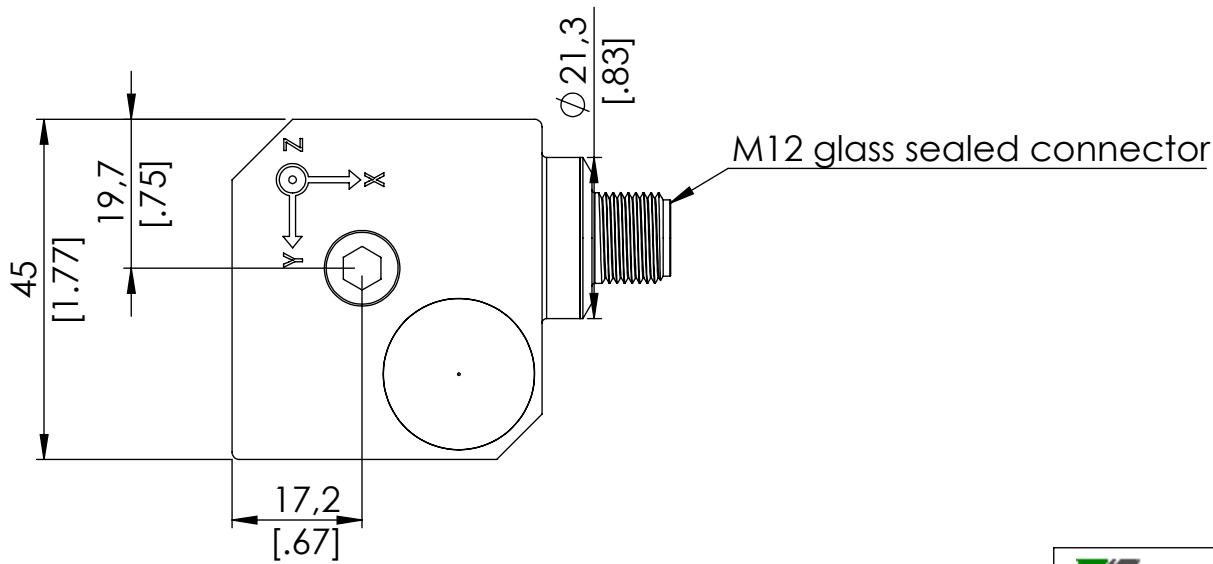
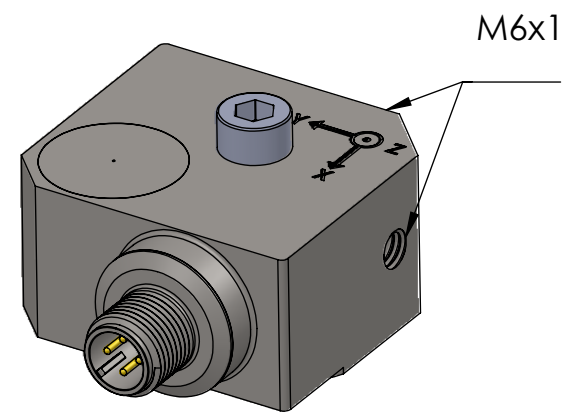
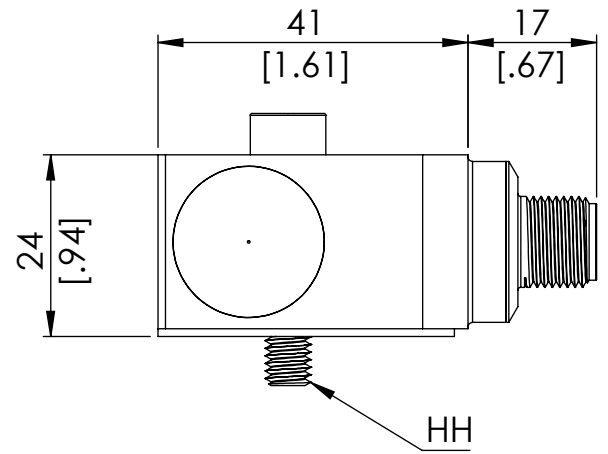
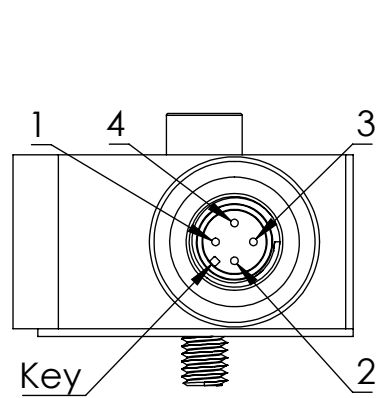


Rev	Date	Description	ECO	Drawn.	App.
A	12/04/2019	Released	XXXX	K.N.	A.B.



General Tolerances : ISO 2768 FH
 Break sharp edges 0.05 to 0.1
 Ra $\sqrt{0.8}$ all machined surfaces

This drawing is confidential and is the property of Vibrasens. Reproduction or manufacturing rights granted by written permission only.

	Size: A4H	Rev:A
	FSCM : - - - -	
triaxial accelerometer		
PNR, Drawing N° 131.02-AA-2	Scale 1:1	Sheet 1/1

1

2

3

4

Rev	Date	Description	ECO	Drawn.	App.
A	12/04/2019	Released	XXXX	K.N.	A.B.

A

B

C

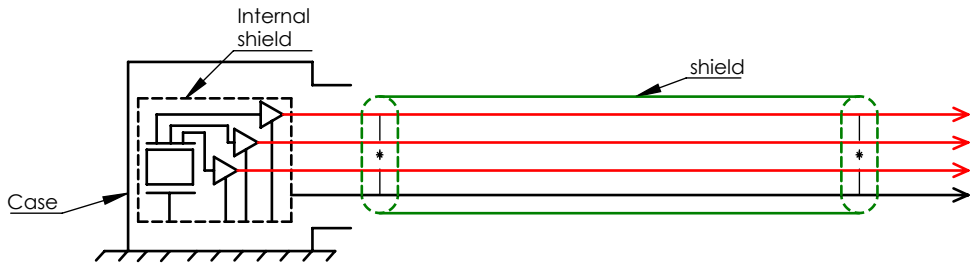
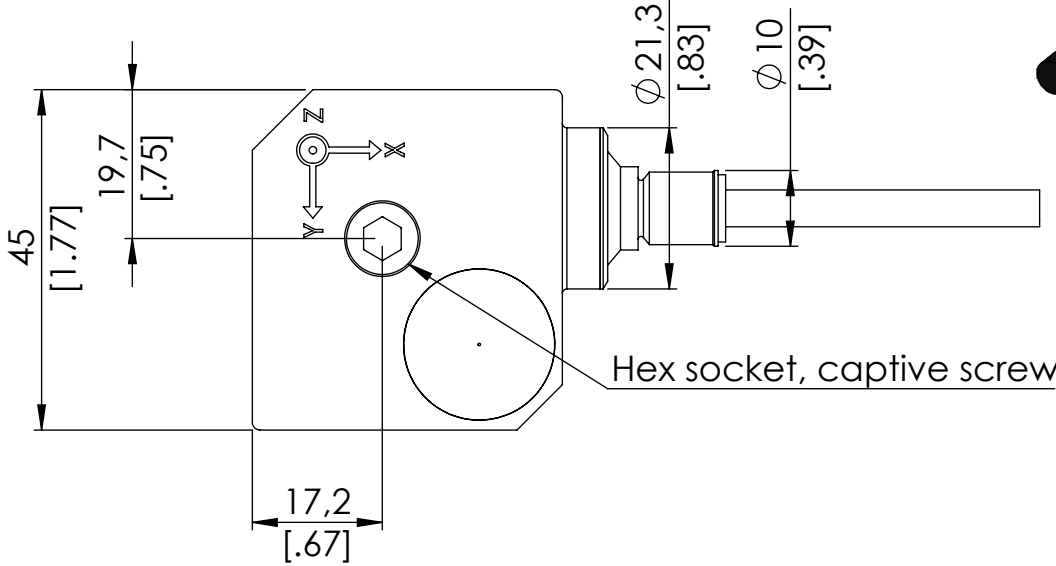
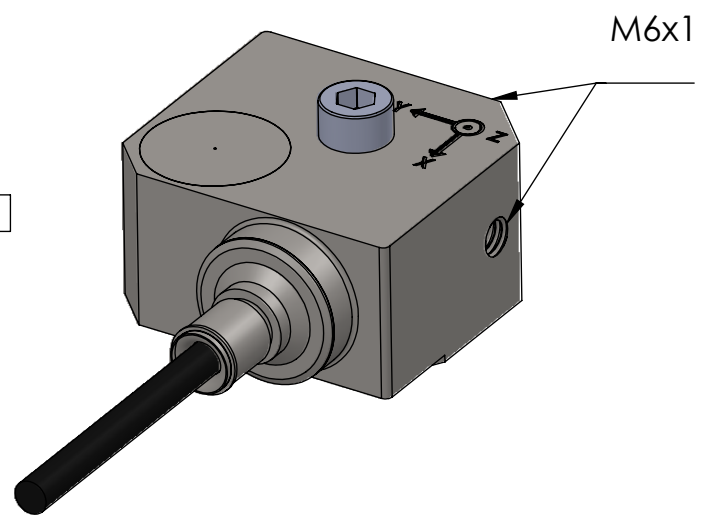
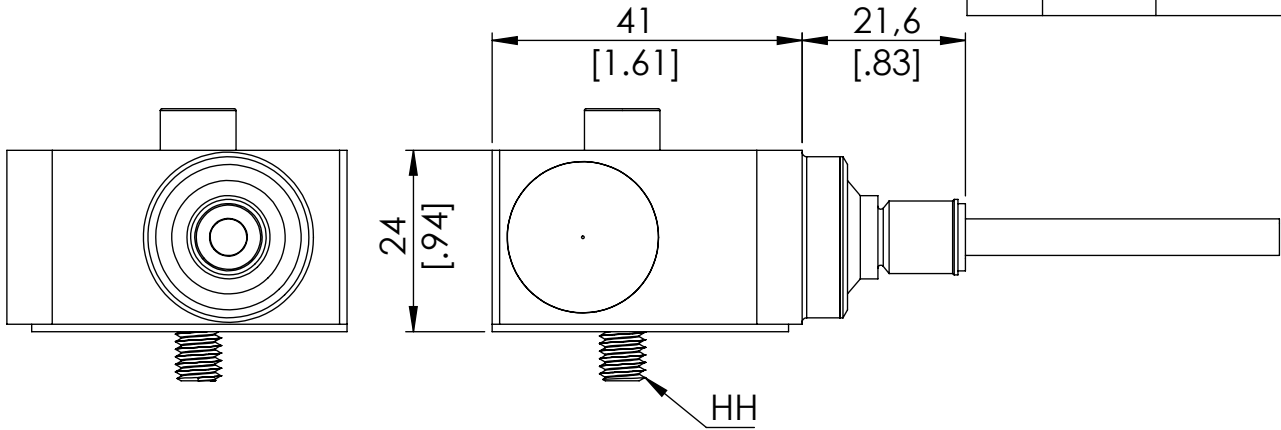
D

A

B

C

D



- 4: Z axis
- 2: Y Axis
- 1: X Axis
- 3: Ground

General Tolerances : ISO 2768 FH
 Break sharp edges 0.05 to 0.1
 Ra $\sqrt{0.8}$ all machined surfaces

This drawing is confidential and is the property of Vibrasens. Reproduction or manufacturing rights granted by written permission only.

	Size: A4H	Rev:A
	FSCM : - - - -	

B= 5 : Integral cable		
PNR, Drawing N° 131.02-XX-5(CC-DD)	Scale 1:1	Sheet 1/1

1

2

3

4

1

2

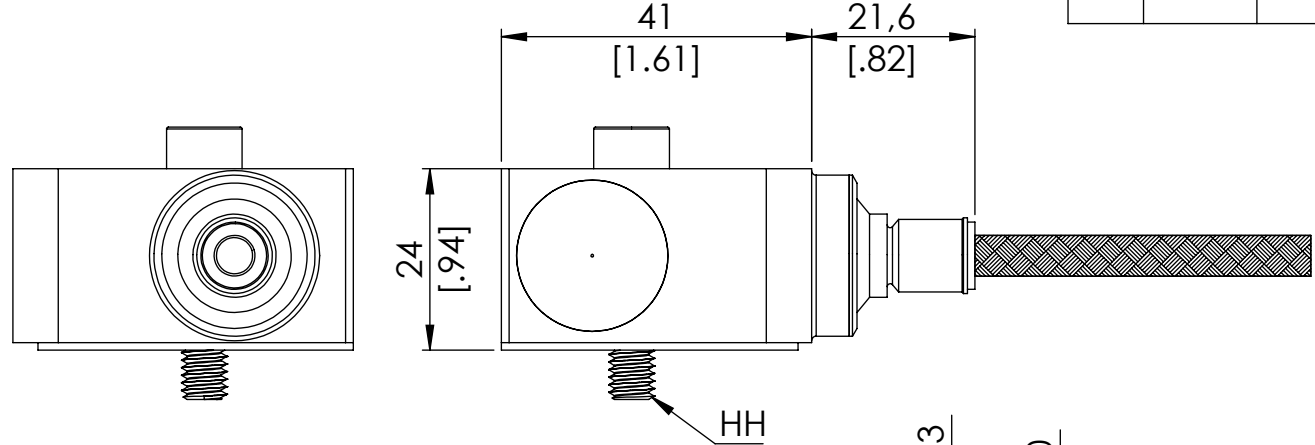
3

4

Rev	Date	Description	ECO	Drawn.	App.
A	12/04/2019	Released	XXXX	K.N.	A.B.

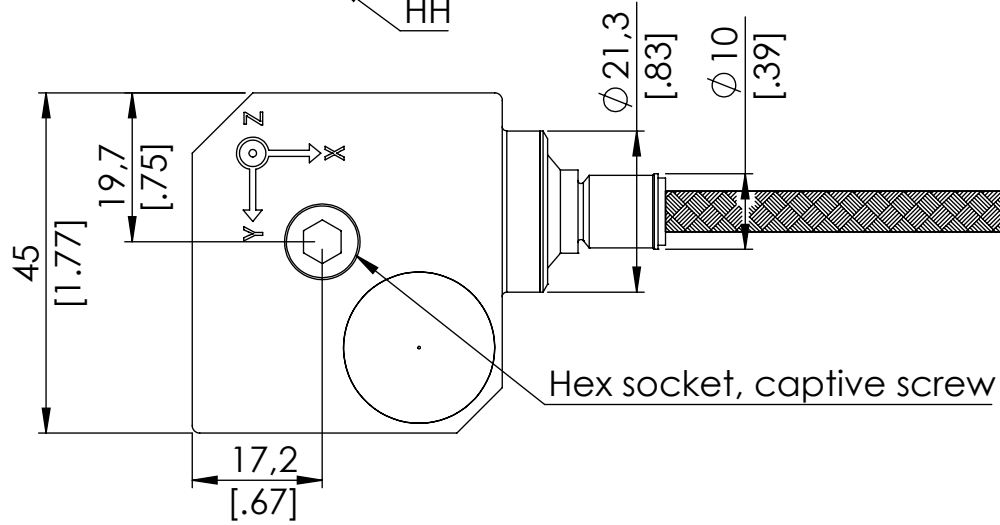
A

A



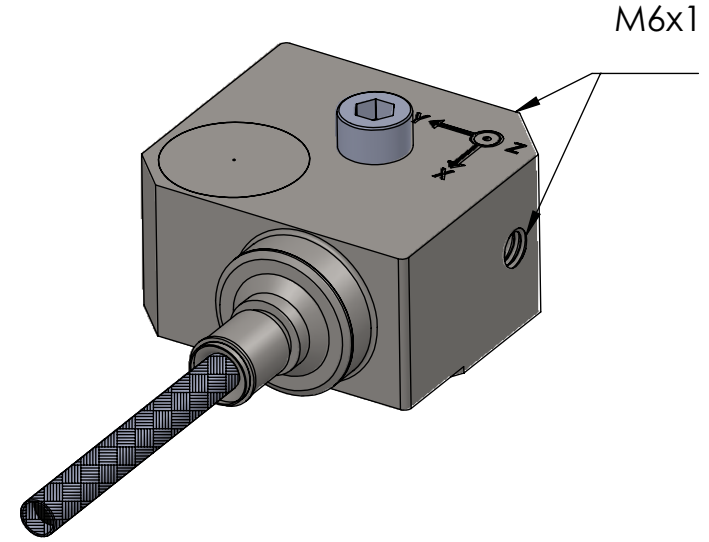
B

B



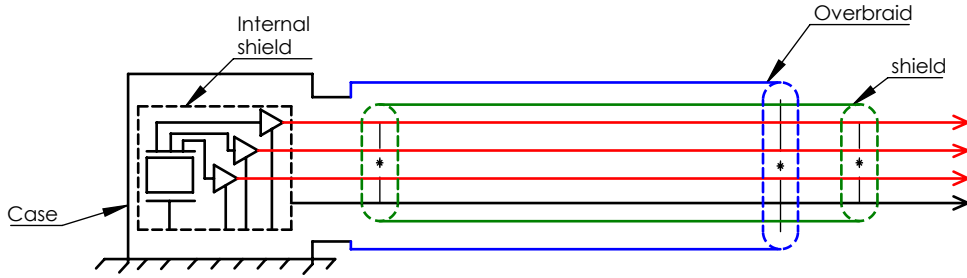
C

C



D

D



- 4: Z axis
- 2: Y Axis
- 1: X Axis
- 3: Ground

General Tolerances : ISO 2768 FH
 Break sharp edges 0.05 to 0.1
 $Ra \sqrt{0.8}$ all machined surfaces

This drawing is confidential and is the property of VibraSens. Reproduction or manufacturing rights granted by written permission only.

	Size: A4H	Rev: A
	FSCM : - - - -	
B=7 : Integral cable with overbraid		
PNR, Drawing N° 131.02-XX-7(CC-DD)	Scale 1:1	Sheet 1/1

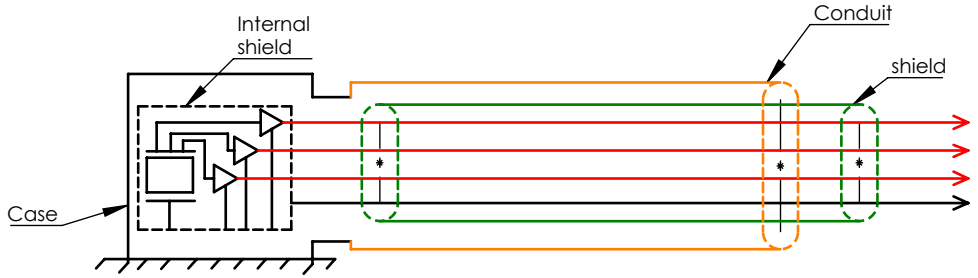
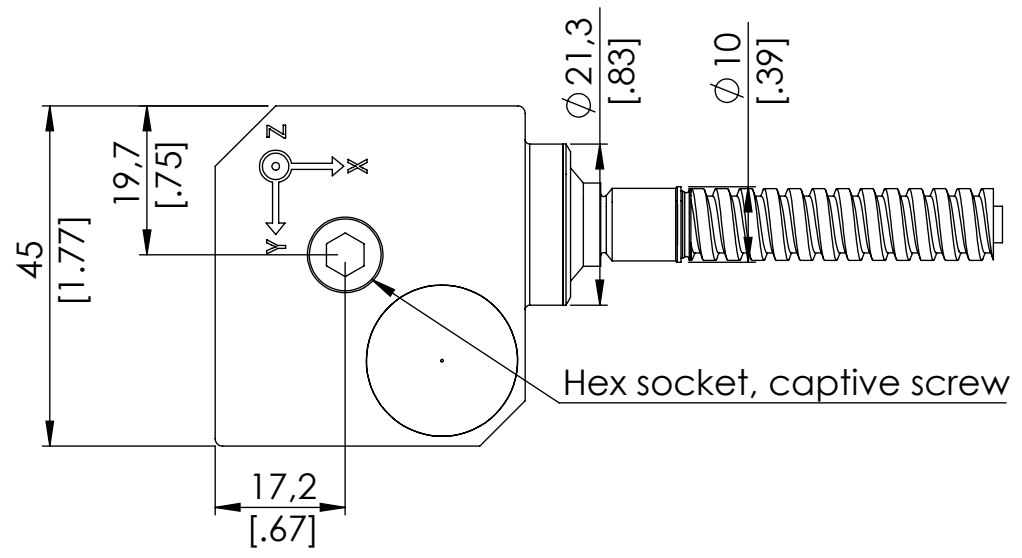
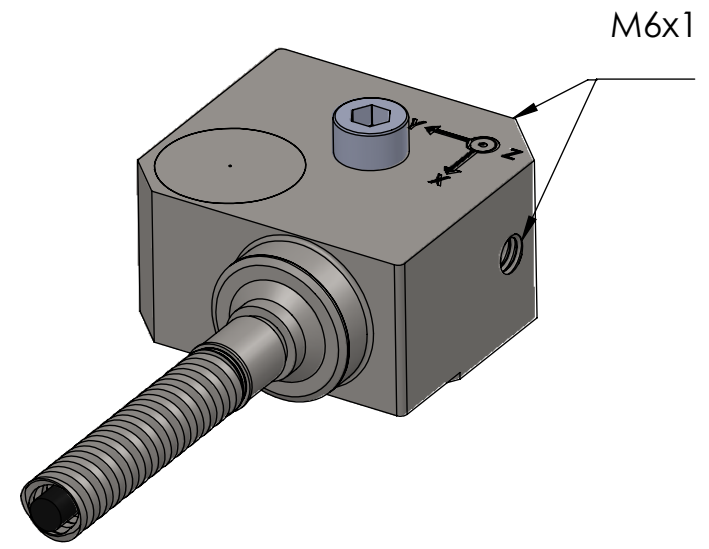
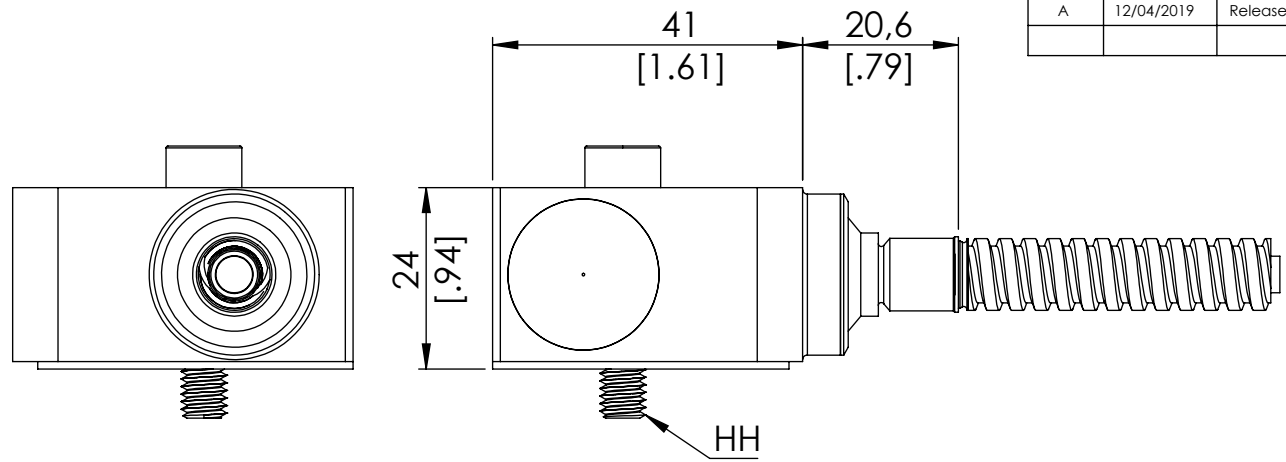
1

2

3

4

Rev	Date	Description	ECO	Drawn.	App.
A	12/04/2019	Released	XXXX	K.N.	A.B.



- 4: Z axis
- 2: Y Axis
- 1: X Axis
- 3: Ground

General Tolerances : ISO 2768 FH
 Break sharp edges 0.05 to 0.1
 Ra $\sqrt{0.8}$ all machined surfaces

This drawing is confidential and is the property of Vibrasens. Reproduction or manufacturing rights granted by written permission only.

	Size: A4H	Rev: A
	FSCM : - - - -	
B= 8 : Integral cable with conduit		
PNR, Drawing N° 131.02-XX-8(CC-DD)	Scale 1:1	Sheet 1/1